



1. The rotating shaft of the life raft shall be galvanized or stainless steel. All rigging shall be galvanized, and protective measures shall be taken for the concentrated parts.
2. The life raft shall be equipped with a hydrostatic pressure release approved by the ship inspection department.

FAQ:

1. Will you attend the fair to show your products?

Yes, of course

2. Which certificate do you have for your equipment?

We have certificates such as CCS/EC

3. How far is your factory from the city hotel?

One and a half hour by car

4. How far is your factory from the airport?

One and a half hour by car

5. Where is your factory located?

We have our factory in Xizhou, Xiangshan, Ningbo

6. Do you provide free spare parts ?

No, can't

7. Do you provide sample? Free or charge?

Yes, it's charge

8. Are you a trading company or a manufacturer?

We are manufacturers

Ningbo Zhenhua Electrical Equipment Co.Ltd.

Address: No. 111 yingang rd., xizhou, xiangshan, zhejiang province, china

Post No.: 315700 Phone: +86-136 0678 3177

Tel: +86-574-87898900 Tel: +86-574-87896971

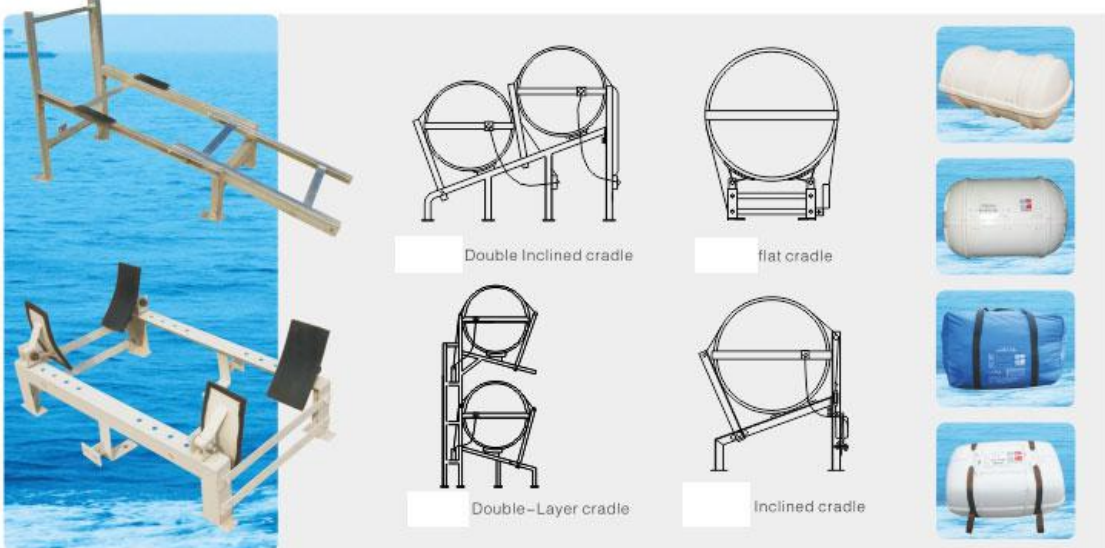
Fax: +86-574-87896981 E-mail: nb9@zhen-hua.com

Company Website: www.lifesavingseries.com



SAFETY FIRST, QUALITY FIRST

Container & Cradle



Ningbo Zhenhua Electrical Equipment Co.Ltd.

Address: No. 111 yingang rd., xizhou, xiangshan, zhejiang province, china

Post No.: 315700 Phone: +86-136 0678 3177

Tel: +86-574-87898900 Tel: +86-574-87896971

Fax: +86-574-87896981 E-mail: nb9@zhen-hua.com

Company Website: www.lifesavingseries.com



SAFETY FIRST, QUALITY FIRST

COMPANY ADVANTAGE



CORPORATE CERTIFICATE



Ningbo Zhenhua Electrical Equipment Co.Ltd.
 Address: No. 111 yingang rd., xizhou, xiangshan, zhejiang province, china
 Post No.: 315700 Phone: +86-136 0678 3177
 Tel: +86-574-87898900 Tel: +86-574-87896971
 Fax: +86-574-87896981 E-mail: nb9@zhen-hua.com
 Company Website: www.lifesavingseries.com